

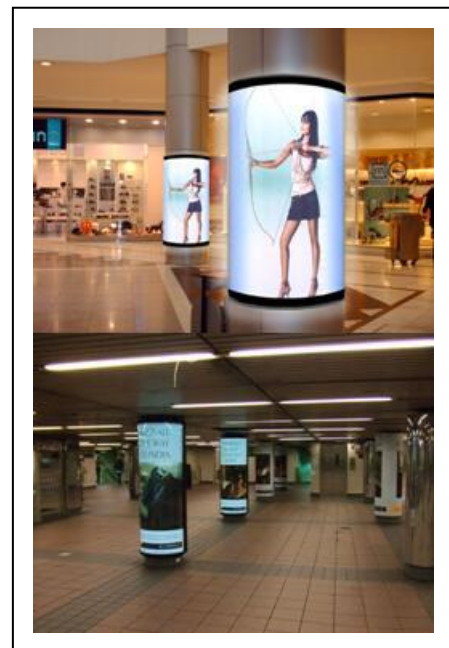


Column LED Light Box

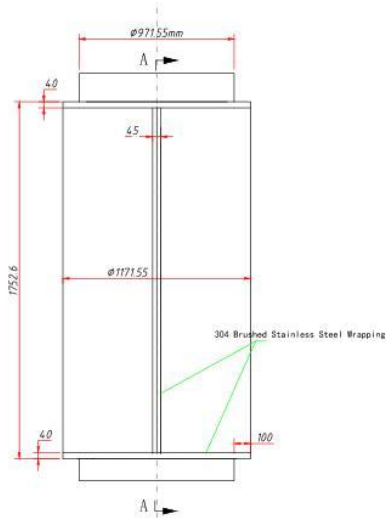
CPD Column light box combines bold design with flexibility and ease of use. We print your image using dye sublimation on fabric or PVC graphic, so you see brilliant images with no shine or sheen. The printed graphic is then placed in front of our column LED light box. This option offers an even and consistent light output with a curved light box. Installation is quick, and graphics can be changed in minutes. To top it off, CPD column light box is maintenance free with a long life span.

FEATURES

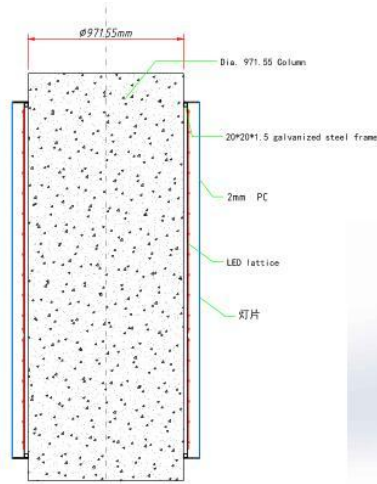
- ◆ Available in custom sizes
- ◆ Aluminum / stainless steel frame
- ◆ Easy to install and change graphic
- ◆ Custom temperature options
(2700-3200K, 4000-5000K, 6000-6500K...)
- ◆ High brightness
- ◆ Long LED lifespan (more than 50 000hours)
- ◆ Safe, energy-saving, beautiful
- ◆ Even and stable light quality
- ◆ Advanced 3-year warranty



SPECIFICATION			
Input Voltage	110-240V		
Wattage	1 W/Chip		
Color Temperature	2800-3200 K	6000-6500 K	10000-11000 K
wiring	Each light box must have direct connection to power supply. Do not wire light box in series.		
Operating Temperature	-30 °C ~ +40 °C		
Environment	Dry location only (standard)		
Size	Custom size		
Weight	Approx. 2 lbs / sq ft (0.46 kg / sq m)		
Frame Material	Aluminum / stainless steel		
Frame colors	Silver / Black		



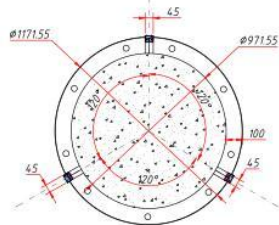
Front View



A-A View



SOLIDWORKS
Assembly diagram



Top View

